

# Alto™ aluminum display frames to display, protect, and quickly change any information

## Alto™ Aluminum Display Frames



K1-clear 8 1/2" x 11"

Slot on top edge to load material.

## Alto™ Aluminum Display Frames



K1-clear 8 1/2" x 11"



K55-black 8 1/2" x 11"

Removable top frame edge to load material.

- ✓ Custom designed aluminum display frames to nicely display and quickly change any printed sheets, flyers, ads.
- ✓ Hidden slot on short or long side of frame allows quick & easy changes of your insert.
- ✓ Made in any size you need—fast and inexpensively, 10 to 100,000!
- ✓ Easily mounts to any surface with double-sided tape or other fasteners. Hang vertically or horizontally.
- ✓ Save time, labor expense and protect from damage to walls ... Mount our frame once, then change your insert easily without tools or new mounting hardware.
- ✓ Optional tamper-resistant frame to prevent removal of insert.
- ✓ Perfect for displaying notices, photos, certificates, posters, record-keeping charts, floor plans, emergency procedures for buildings or machinery, MSDS info., advertisements.



- ✓ Durable, attractive aluminum frames available in many different colors. Standard colors are silver, black and gold.
- ✓ Buy direct from us, the manufacturer. Over 40 years experience!
- ✓ Alto frames are commonly used in offices, factories, restaurants, schools, elevators, hotels, hospitals, washroom advertisements, bus, train and airport services.
- ✓ Very popular, durable and attractive way to display info you need to update and change periodically.

K59

K2

K2

K1

K1

K1

## Contact:

**Tel: 773-935-7080**

K1D Designed and Manufactured By:  
Alto Mfg. Co., Inc., 2850 N. Ashland Ave.  
Chicago, IL 60657 Founded in 1919

K55 FAX: 773-935-7084 (24hrs.)

On-Line Catalog:

K55 [www.altomfgco.com](http://www.altomfgco.com)  
E-mail : [Sales@altomfgco.com](mailto:Sales@altomfgco.com)

© 1999 Alto Mfg. All Rights Reserved

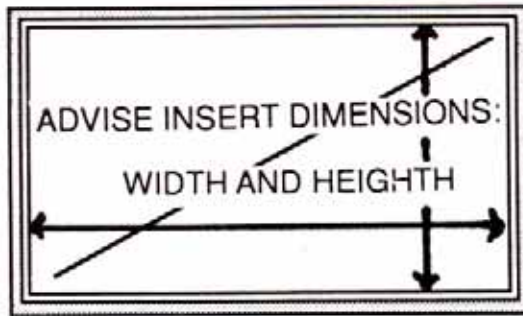
K58

# ALTO EXTRUSION FRAMES

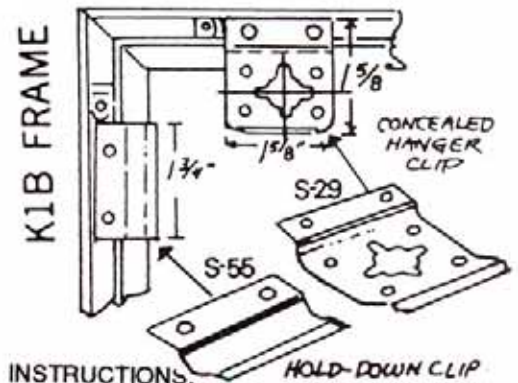
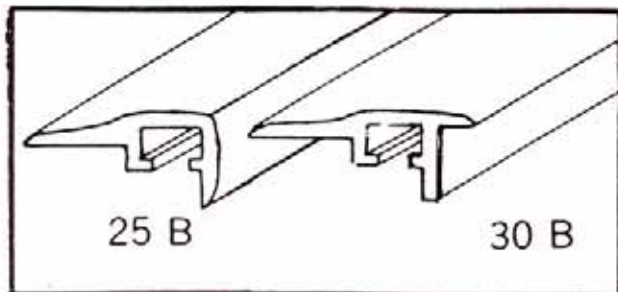
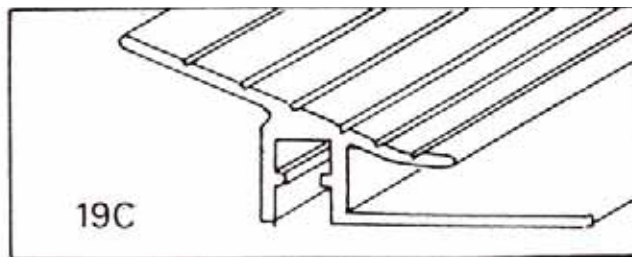
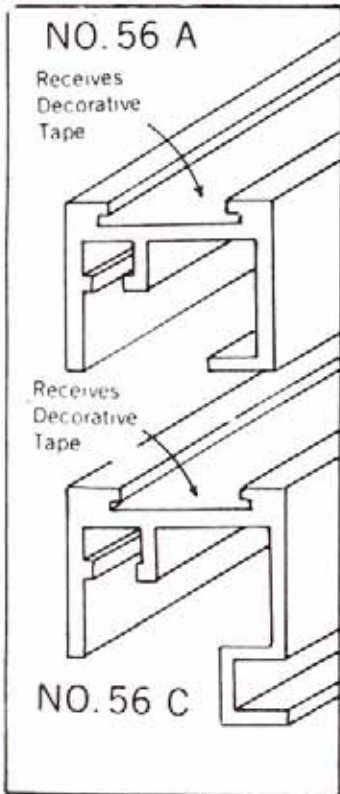
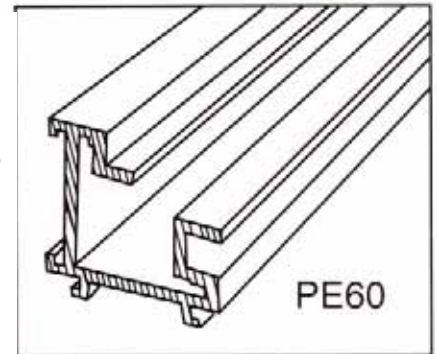
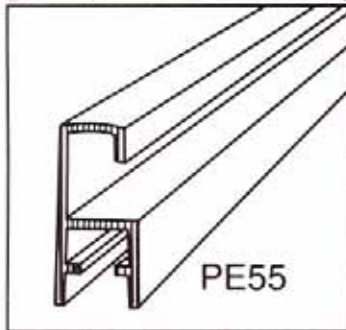
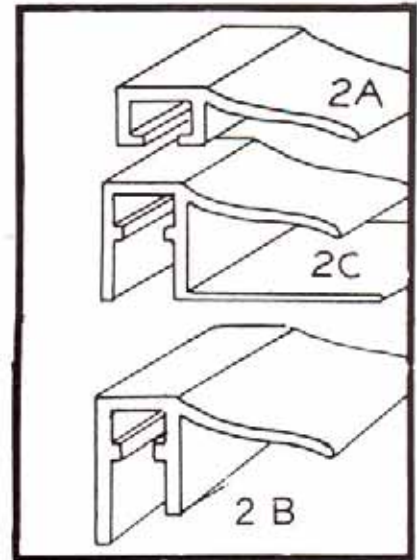
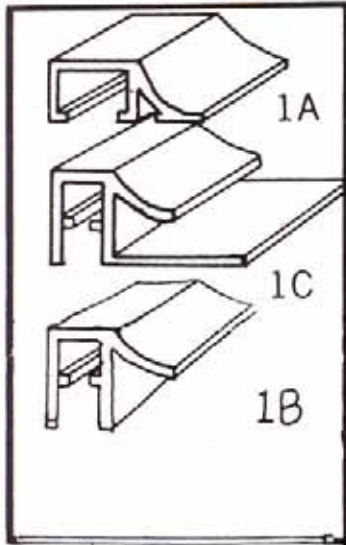
ALUMINUM FRAMES FABRICATED  
FOR ADVERTISING AND INDUSTRIAL  
MESSAGE PURPOSES,  
POSTERS, PICTURES, ETC.

**FRAMES DESIGNED TO APPEAL**

- MADE TO LAST
- RIGIDLY CONSTRUCTED
- MANY COLORS AVAILABLE.



- Instructions for Aluminum Changeable Insert Frames
1. Slide out clear plastic protective cover and cardboard backing from inside of frame.
  2. Mount frame on wall by either affixing to wall with double sided tape, nailing or screwing to wall through holes on inside flanges. use a level to place the frame straight and level on the wall. Note: when mounting vertically make sure hidden slot on frame is on top.
  3. Remove protective plastic sheet from both sides of plastic cover. place insert between plastic front and cardboard back.
  4. Gently slide media into the hidden slot of the frame.



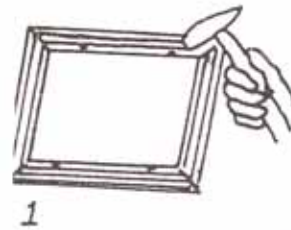
- INSTRUCTIONS:**
1. INSERT FRONT COVER, COPY AND BACK INTO FRAME
  2. ALIGN HEX NUTS AND FASTEN; TWO NUTS AND SCREWS FURNISHED FOR EACH CLIP AND HANGER. NUMBER OF NUTS IN EACH SIDE DETERMINES CLIPS TO BE USED.
  3. SERVES AS BOTH HOLD-DOWN-CLIP AND AS HANGING DEVICE. ATTACH TO EITHER LONG OR SHORT SIDE OF FRAME.

## ALUMINUM FRAMES - MANY COLORS AVAILABLE

### ALUMINUM DISPLAY FRAMES

Designed for flexibility, appeal and convenience. Inserts may be changed from top or back, or locked in to prevent removal.

Available in any size: state when ordering. Quantity, model, width and height of insert, location of insert opening, type of mounting.



1



2.



3.



4.

### TYPES OF MOUNTING

1. WALL TYPE, permanent, screw or nail mount.
2. HANGER TYPE, chain clipped to back
3. EASEL TYPE, wire easel support back
4. COUNTER TYPE, feet permit use of single or double sided inserts.

PC33 CAST CORNER



**ALTO**  
MANUFACTURING COMPANY,  
INCORPORATED.

